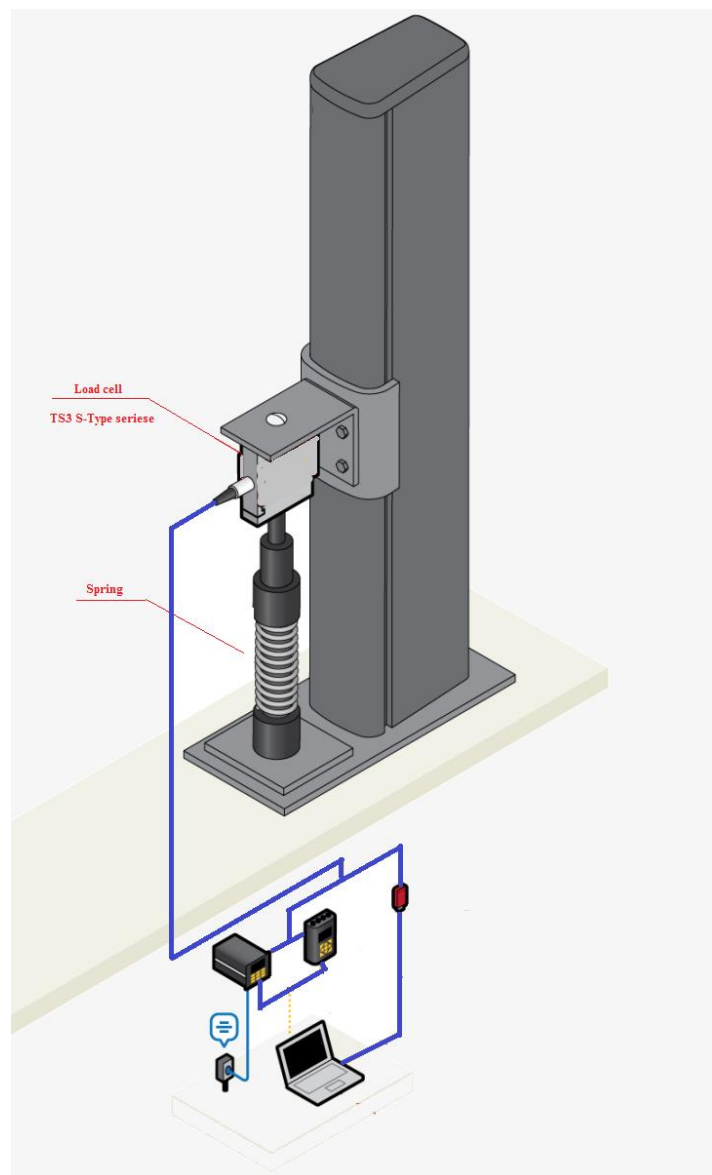


**Application:**

Spring testing systems are ideal for high volume production testing, quality control inspection, and design engineering. In this automated spring testing system an S-Beam load cell (TS3 Series) is fixed onto the spring test column to measure the spring force in relation to its position.

o



TS3 series S type web site:

<http://www.gathertechnology.com/Productlist.asp?SortID=79>