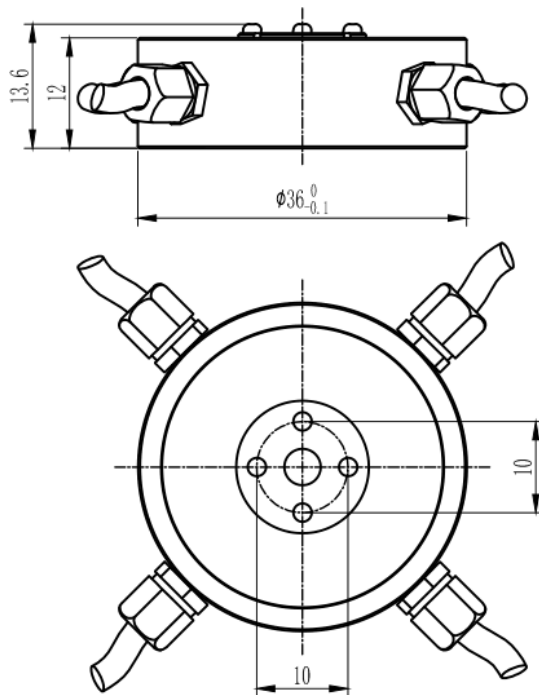


Mounting Dimension



TSR135

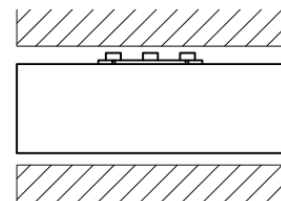


Features & Applications

- Made of stainless steel
- Stable performance with high accuracy
- Suitable for testing of depth of parallelism of top and bottom module, assemble accessories
- Dimension is Customizable
- Patented product of Right which is strictly prohibited imitation

Specifications	Technique
Capacity	50,100,200, 500N
Rated output	0.5±20% <i>mV/V</i>
Zero balance	±2% <i>F.S.</i>
Temp.effect on output	0.05% <i>F.S./10 °C</i>
Temp.effect on zero	0.05% <i>F.S./10 °C</i>
Input impedance	350 ± 10
Output impedance	350 ± 10
Insulation	≥5000 <i>MΩ/100VDC</i>
Recommended excitation	5V
Maximum excitation	10V
Compensated temp range	-10~60 °C
Operation temp range	-20~80 °C
Safe overload	150% <i>F.S.</i>
Ultimate overload	300% <i>F.S.</i>
Cable size	Φ3×3000mm
IP Class	IP66

Load Direction



Wiring Code

